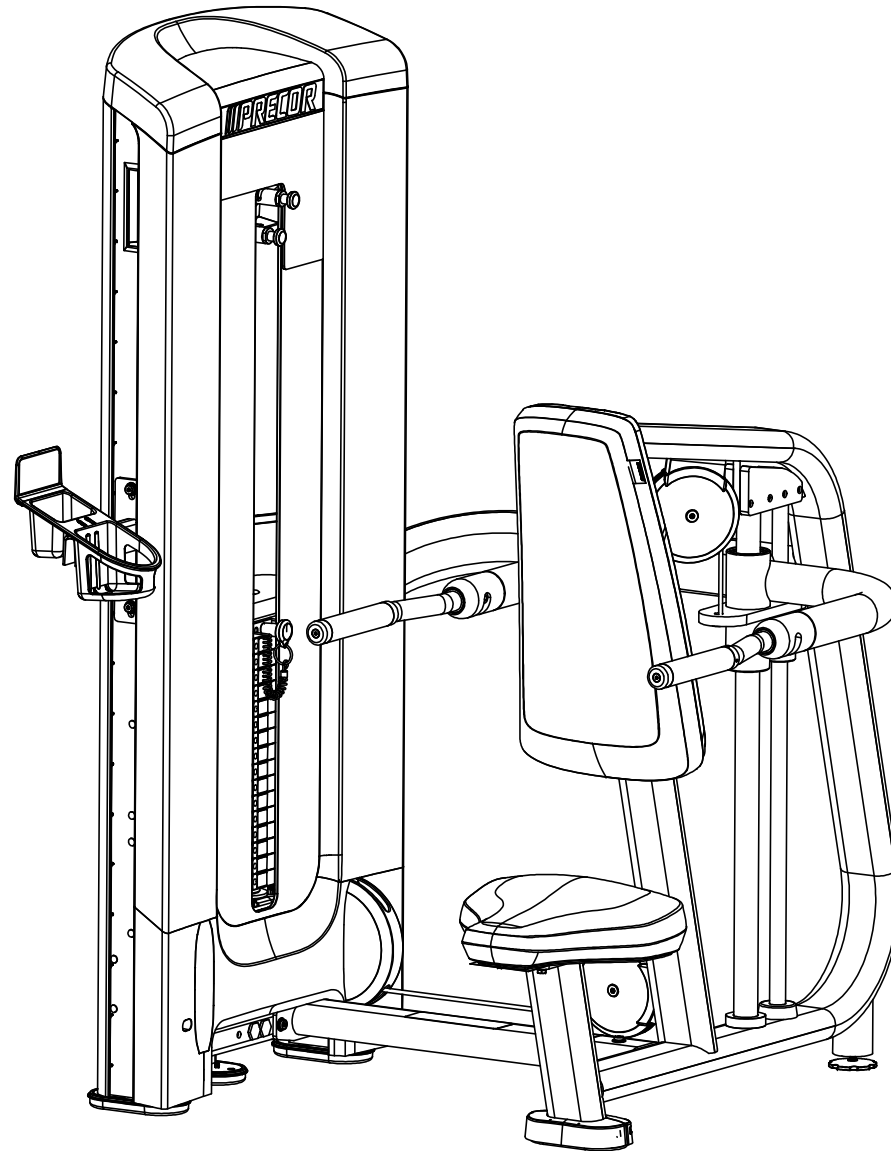


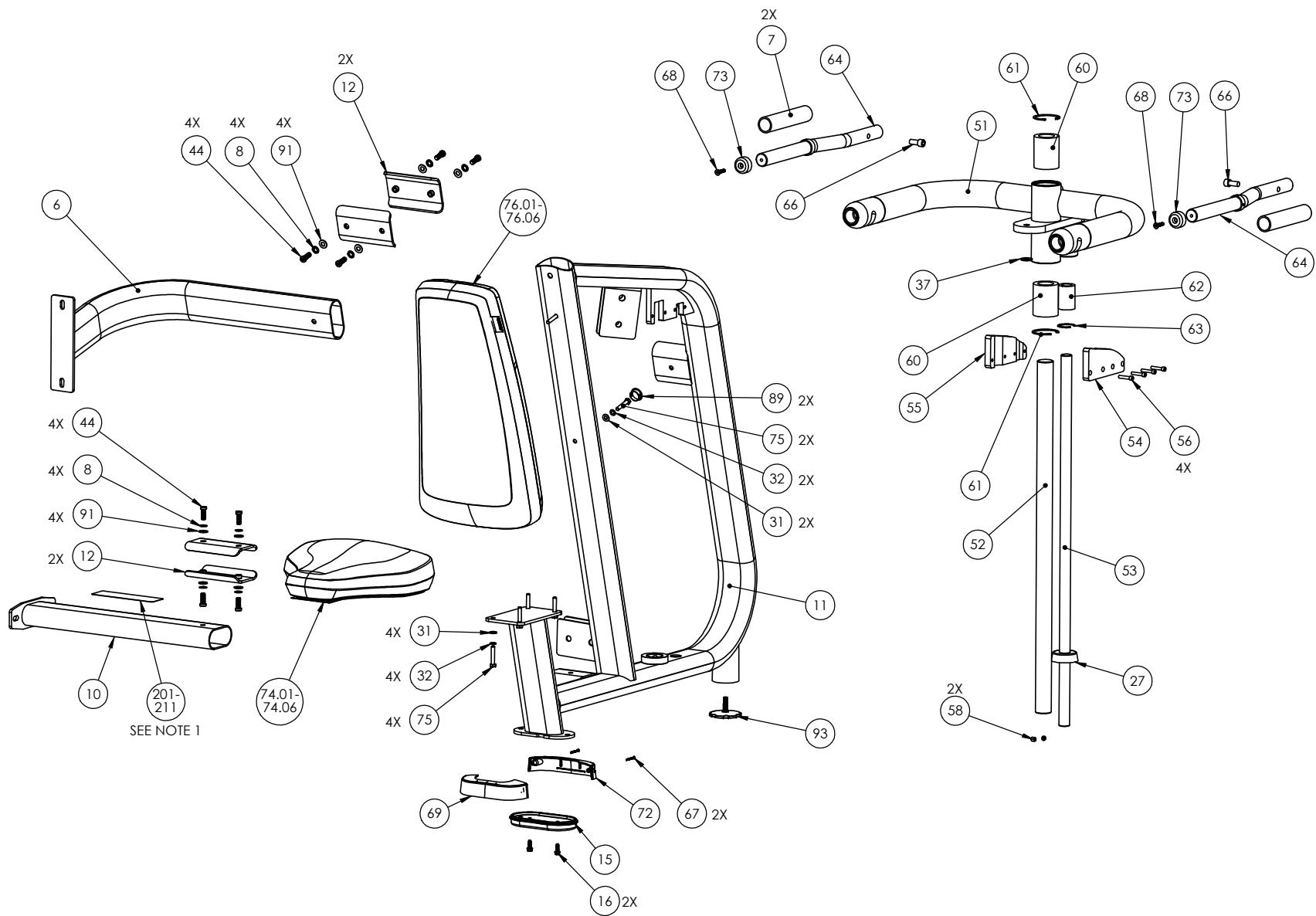
NOTES:

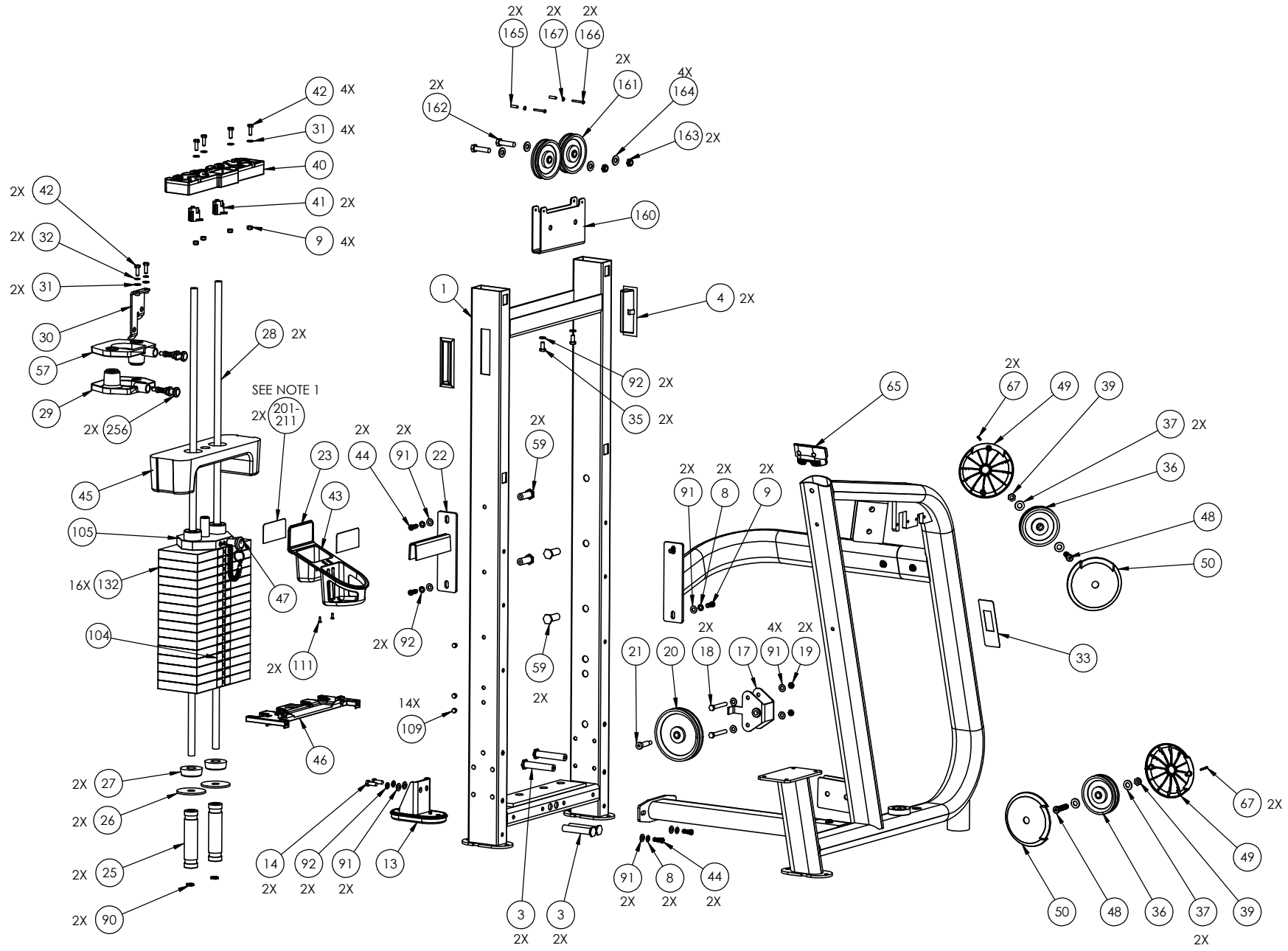
1. THIS LABEL IS FURNISHED AS PART OF A LABEL KIT. ORDER REPLACEMENT LABEL KITS AS FOLLOWS:

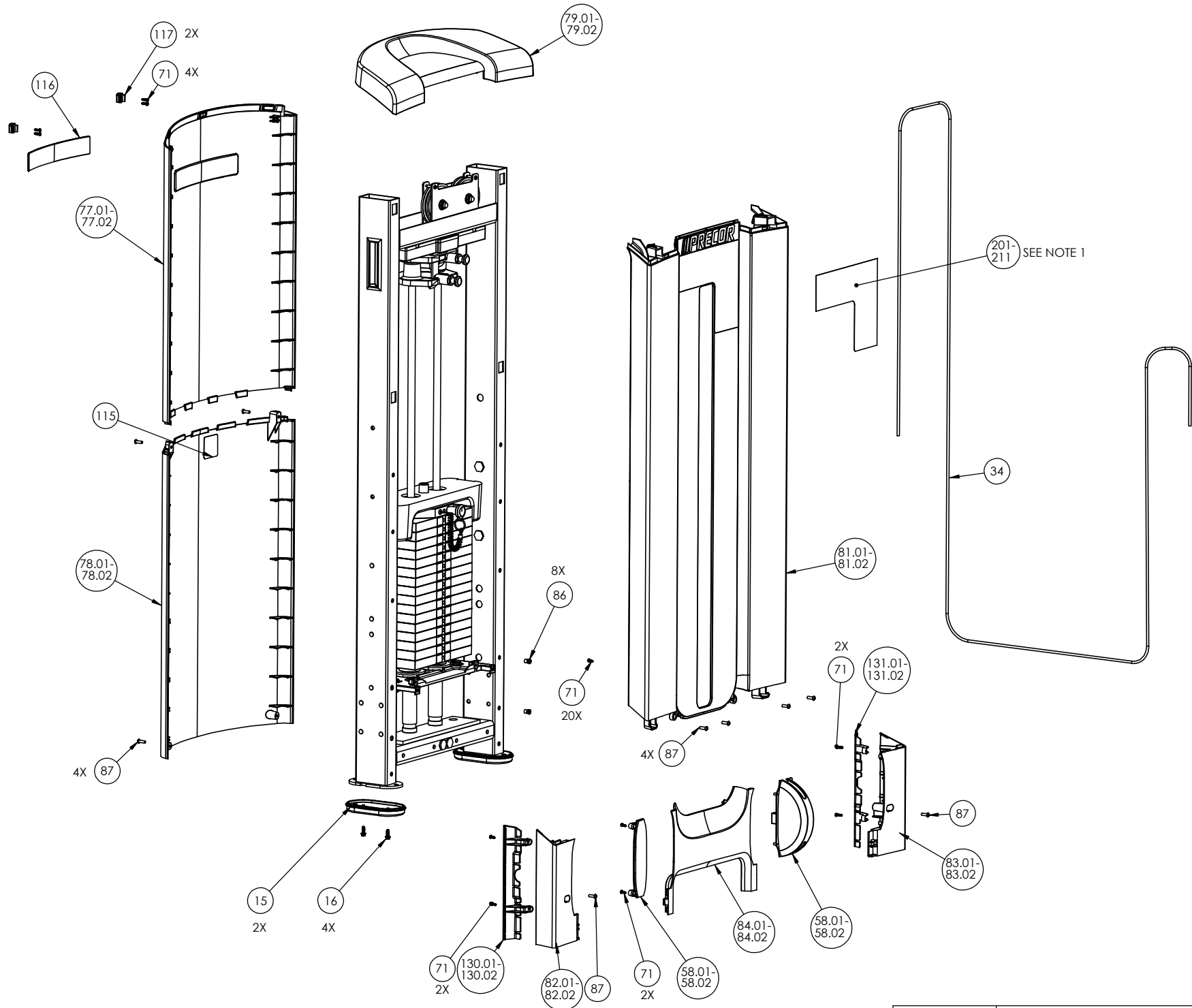
ENGLISH - BUBBLE #201
CHINESE - BUBBLE #202
FRENCH - BUBBLE #203
GERMAN - BUBBLE #204
JAPANESE - BUBBLE #205
SPANISH - BUBBLE #206
DUTCH - BUBBLE #207
PORTUGUESE - BUBBLE #208
RUSSIAN - BUBBLE #209
HEBREW - BUBBLE # 210
ITALIAN - BUBBLE #211



C215EC - SEATED DIP	P/N : CW34783-101	SUBREV : J
DRAWN BY : C THOMSON	DATE : 29 SEP 2011	SHEET 1 OF 4







C215EC, Seated Dip, C-Line

Part Number	Description	Bubble Number
CW33767-103	WLDMT, WEIGHT TOWER, SHORT,PTD	1
CW33991-101	WEIGHT TOWER BOLT ON, LONG	3
CW34067-101	PLASTIC RECESSED HANDLE	4
CW34109-101	WLDMT, UPPER FRAME SUPPORT, SEATED	6
CWGR4707-000	GRIP, RUBBER, 1-1/4" OD HANDLE, 7.0	7
CWWATCN038-032	WASHER, LK, INT. TOOTH, .375	8
CWKACN031-016	LOCKNUT,HALF, 5/16-18,ZN	9
CW34107-101	WLDMT,LOWER FRAME SUPPORT	10
CW34098-102	WLDMT, SEAT FRAME, SEATED DIP	11
CW33880-101	FORMED,PLATE, .19 THICK,DOUBLE-D CO	12
CW34380-101	ASSY, STABILITY FOOT	13
CWHCCN038-100	SCREW, HEX, CLR ZINC, 3/8-16 X 1.00	14
CWPLCN025-075	SLOTTED, HEX, WASHER, HEAD, 1/4-20	16
CW33773-101	WLDMT, WS BASE PULLEY	17
CWHCCN038-275	SCREW, HEX, CLR. ZINC, 3/8-16 X 2 3	18
CWKACN038-027	LOCKNUT,HALF, 3/8-16, ZN	19
CWAC1010-101	PULLEY, 6 DIA X 1/2 ID	20
CWRANN038-150	BOLT, SHOULDER, 3/8-16 X 1/2 X 1 1/	21
CW34364-101	WLDMT, WATER BOTTLE HOLDER	22
CW34788-101	LABEL PLACARD, WATER BOTTLE, WEIGHT	23
CW33633-101	BAR, 1.50 DIA, WEIGHT STACK RISER	25
CW33894-101	WASHER, BUMPER BACKING	26
CW12402-101	BUMPER, ID 1.050, BLK RUBBER	27
CW33994-101	BAR, .750 DIA, SHORT GUIDE ROD	28
CW33966-102	ASSEMBLY, CAST DROP DOWN,BOTTOM	29
CW33967-102	PLATE, .19 THICK, DRP DW WT MNT	30
CWWBCN031-007	WASHER, FLAT, TYPE A, SAE, 5/16 ID	31
CWWALCN031-008	WASHER, SPLIT, 5/16 ID, ZN	32
CWCLPP169-000	ASSY, CABLE, SEATED DIP, RENOVO	34
CWHCCN038-075	SCREW, HEX, CLR. CLR. ZINC, 3/8-16	35
CWAC1009-101	PULLEY, 4 1/2 DIA X 1/2 ID	36
CWWBCN050-010	WASHER, FLAT, TYPE A, NARROW, 1/2 I	37
CWKACN050-031	LOCKNUT,HALF, 1/2-13, ZN	39
CW34014-101	UPPER GUIDE ROD SUPPORT	40
CW34015-101	UPPER GUIDE ROD LOCK	41
CWHCCN031-100	SCREW, HEX, GR 5, 5/16-18 X 1.0, ZN	42
CW34787-101	WATER BOTTLE HOLDER, WEIGHT STACK	43
CWCPMN038-100	SCREW, SCKT LW HD, MCH CLR ZI,3/8-1	44
CW34258-101	COUNTER WEIGHT, WEIGHT STACK, SEATE	45
CW34367-101	LOWER COVER SUPPORT ASSY	46
CW33870-104	ASSEMBLY, 5" WEIGHT STACK PIN & LEA	47
CWCPMN050-200	SCREW, SOCKET LOW HEAD, MECH CLR ZI	48
CW33997-111	4.5" PULLEY COVER, BRKT MOUNT, BACK	49
CW33997-108	4.5" PULLEY COVER, BRKT MOUNT, FRON	50
CW34111-103	WLDMT, LINEAR FRAME, SEATED DIP	51
CW34133-101	ROD, GUIDE, 1.50" DIA, SEATED DIP	52
CW34134-101	ROD, GUIDE, 1.00" DIA, SEATED DIP	53
CW34125-102	.625 PLATE, GUIDE ROD, SEATED DIP	54
CW34125-101	.625 PLATE, GUIDE ROD, SEATED DIP	55

CWCAMN025-150	SCREW,SKHD,1/4-20 X 1.50, ZN,(MECH	56
CW33966-103	ASSEMBLY, CAST DROP DOWN, TOP	57
CW34012-103	PULLEY COVER, 6 INCH, SILVER GRAY	58.01
CW34012-104	PULLEY COVER, 6 INCH, AMAZON STONE	58.02
CW33991-102	WEIGHT TOWER BOLT ON, SHORT	59
CW12571-102	LINEAR BEARING, CLOSED TYPE, 1.500/	60
CWACHN238-008	SNAP RING RETAINER,(SUPER 24)	61
CW12571-101	LINEAR BEARING, CLOSED TYPE, 1.000/	62
CWACHN125-006	SNAP RING RETAINER,(SUPER 16)	63
CW50239-101	ASSEMBLY, HANDLE, SEATED DIP	64
CW34366-101	END CAP ASSY, SEAT BACK, DOUBLE D T	65
CWCAMN044-100	SCREW, SOCKET HEAD, MECHANICAL ZIN	66
CWPMTN016-125	SCREW, SELF TAPPING,#8 X 1 1/4 PHIL	67
CWMACMN025-100	SCREW, FLT HEAD, SOCKET, MECH CLR Z	68
CW34061-103	FOOT COVER FRONT, 15 DEGREES SHORT	69
CWPMTN016-063	SCREW, SELF TAPPING,#8 X 5/8 PHIL,	71
CW34061-104	FOOT COVER BACK, 15 DEGREES SHORT	72
CW34060-101	END CAP, HANDLE, AL, 1.25" OD	73
CWPD4003-101	SEAT PAD, RENOVO, BLACK	74.01
CWPD4003-114	SEAT PAD, RENOVO, CUSTOM	74.02
CWPD4003-118	SEAT PAD, RENOVO,IMP BLUE	74.03
CWPD4003-122	SEAT PAD, RENOVO, PAPRIKA	74.04
CWPD4003-131	SEAT PAD, RENOVO, MAHOGANY	74.05
CWHCCN031-175	SCREW, HEX, GR 5, 5/16-18 X 1 3/4 C	75
CWPD4033-101	BACK PAD, RENOVO, BLACK	76.01
CWPD4033-114	BACK PAD, RENOVO, CUSTOM	76.02
CWPD4033-118	BACK PAD, RENOVO,IMP BLUE	76.03
CWPD4033-122	BACK PAD, RENOVO, PAPRIKA	76.04
CWPD4033-131	BACK PAD, RENOVO, MAHOGANY	76.05
CW34072-101	ASSY, BACK TOP SHROUD, SHORT, PACIF	77.01
CW34072-102	ASSY, BACK TOP SHROUD, SHORT, DARK	77.02
CW34375-101	ASSY,COVER, BACK, LOWER, SHORT, PAC	78.01
CW34375-102	ASSY,COVER, BACK, LOWER, SHORT, DAR	78.02
CW33947-103	COVER, TOP	79.01
CW33947-104	COVER, TOP, AMAZON STONE	79.02
CW34005-103	ASSY, WINDOW BASE SHROUD, SHORT, SI	81.01
CW34005-104	ASSY, WINDOW BASE SHROUD, SHORT, AM	81.02
CW34343-101	CORNER COVER ASSY, LEFT, SILVER GRA	82.01
CW34343-103	CORNER COVER ASSY, LEFT, AMAZON STO	82.02
CW34343-102	CORNER COVER ASSY, RIGHT, SILVER GR	83.01
CW34343-104	CORNER COVER ASSY, RIGHT, AMAZON ST	83.02
CW33945-101	COVER, CENTER	84.01
CW33945-102	COVER, CENTER, AMAZON STONE	84.02
CW34013-101	PLUG, PULLEY, SILVER GRAY	85.01
CW34013-102	PLUG, PULLEY, AMAZON STONE	85.02
CW12112-101	RIVNUT,INSERT,HEX,1/4-20	86
CWTATN025-075	SCREW, BUTTON HEAD, SHARPERIZED BLK	87
CW11095-109	CAP, PLASTIC, HEYCO, DOME PLUG, 1.0	89
CW12651-101	WAVE SPRING, .85 OD X .66 ID X .17	90
CWWBCN038-007	WASHER, FLAT, TYPE A, 3/8 ID X 13/1	91
CWWALCN038-009	WASHER, SPLIT, 3/8 ID, CLR ZINC	92
CW39916-103	FOOT, ADJUSTING, NO LOGO	93

CW50269-101	KIT, WEIGHT STACK LABELS, 260 LB	104
CW34301-101	ASSEMBLY, TOP PLATE, 260 LBS RECTAN	105
CWAAHN134-006	RETAINING RING, EXTERNAL, 34MM(1.33	106
CW11095-107	CAP, PLASTIC, HEYCO, DOME PLUG, 0.3	109
CWMGCN016-050	SCREW, MCH, 8-32 X 1/2, PANHD, PHIL	111
CW34373-101	LABEL,CABLE BOLT WARNING STRENGTH,	115
CW34073-102	PRECOR BADGE, BACK	116
CW34074-101	REAR COVER SNAP	117
CW34341-101	BOTTOM, EDGE COVER, RAIL, LEFT, SIL	130.01
CW34341-103	BOTTOM, EDGE COVER, RAIL, LEFT, AMA	130.02
CW34341-102	BOTTOM, EDGE COVER, RAIL, RIGHT, SI	131.01
CW34341-104	BOTTOM, EDGE COVER, RAIL, RIGHT, AM	131.02
CW34292-101	ASSEMBLY, WEIGHT PLATE, RECTANGULAR	132
CW35978101	DBL PULLY BRKT,FORMED PLATE,10GA(.1	160
CWAC1009-101	PULLEY, 4 1/2 DIA X 1/2 ID	161
CWHCCN050-200	SCREW, HEX HEAD,ZN, 1/2-13 X 2.0	162
CWKACN050-031	LOCKNUT,HALF, 1/2-13, ZN	163
CWWBCN050-010	WASHER, FLAT, TYPE A, NARROW, 1/2 I	164
CW35980-101	SPACER, ALU,.166 ID X .25 OD X .875	165
CWMGCN016-150	SCREW,MCH,8-32X1-1/2,PANHD,	166
CWWAMCN016-020	WASHER, LOCK, EXT TOOTH, #8	167
CW50271-101	KIT, DROP DOWN WEIGHTS.	250
CW50288-101	KIT, POP PIN, DROP DOWN WEIGHT	256
CW35145-101	CUT PIECE CREPE, .06" THICK	257
CW11095-111	CAP, PLASTIC, HEYCO, PRY OUT PLUG,	265
CW34959-141	LIT KIT, EXPERIENCE C, SEATED DIP,	999